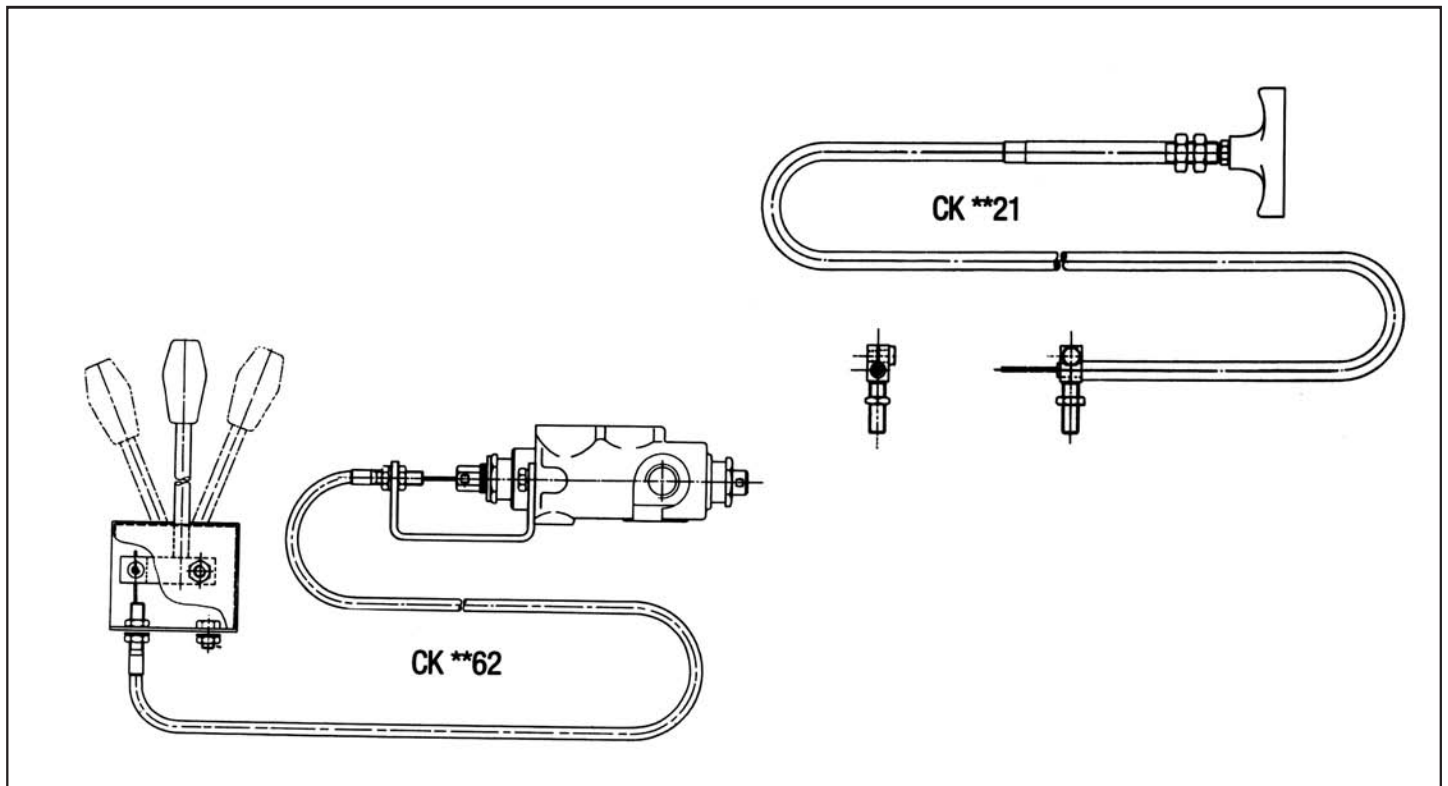


TECHNICAL DATA SHEET



Technical specifications	Description	Cable Length (m)
CK 1521	PTO Control Kit	1.5
CK 2021	PTO Control Kit	2.0
CK 2521	PTO Control Kit	2.5
CK 3021	PTO Control Kit	3.0
CK 3521	PTO Control Kit	3.5
CK 4021	PTO Control Kit	4.0
CK 4521	PTO Control Kit	4.5
CK 5021	PTO Control Kit	5.0
CK 1562	Valve Control Kit	1.5
CK 2062	Valve Control Kit	2.0
CK 2562	Valve Control Kit	2.5
CK 3062	Valve Control Kit	3.0
CK 3562	Valve Control Kit	3.5
CK 4062	Valve Control Kit	4.0
CK 4562	Valve Control Kit	4.5
CK 5062	Valve Control Kit	5.0

TECHNICAL DATA SHEET



PRODUCT FEATURES

CABLE CONTROL KITS

Developed for operation of equipment on trucks that are not equipped with air, these kits enable PTOs & Valves to be operated efficiently from the truck cab.

- **AVAILABLE IN 0.5M LENGTH INCREMENTS**
From 1.5 to 5m - no need for cutting to the correct length
- **SUPPLIED WITH ALL NECESSARY HARDWARE**
- **SUPERIOR QUALITY CABLES**
Longer operation life

DEALER:

CABLE CONTROL KITS