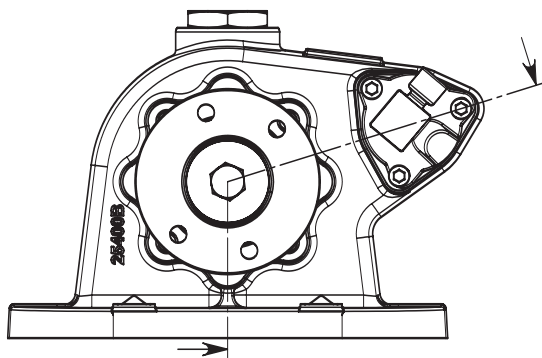
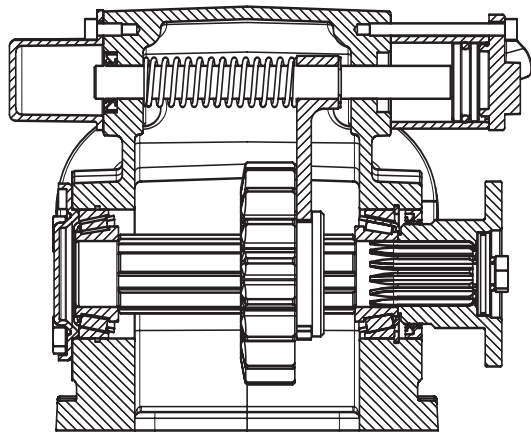


TECHNICAL DATA SHEET

PTO DESIGNATION CODES 847 series PTO



PA 847 MU L13 A 08 *

Identifier
PA

PTO series
847

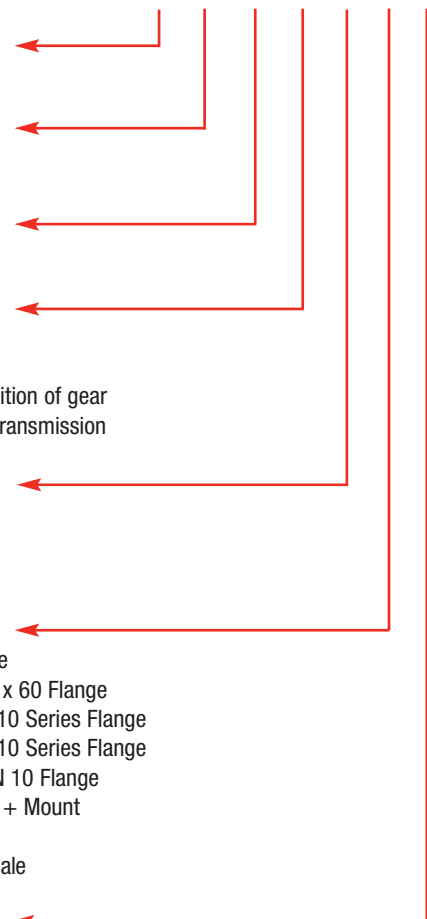
Gear Type
MU, SK, MS

Build
L = Left side of transmission
1 = Selector to top
1 = Centre to front
3 = Front to centre } Position of gear in transmission

Engagement Type
A = Air
D = Electric/Air 12V
E = Electric/Air 24V

Output Type
08 = 8T Powauto Hydraulic Spline
09 = 14T 12/24 30° Spline + 35 x 60 Flange
10 = 14T 12/24 30° Spline + 1310 Series Flange
11 = 14T 12/24 30° Spline + 1410 Series Flange
12 = 14T 12/24 30° Spline + DIN 10 Flange
13 = 13T SAE B Hydraulic Spline + Mount
14 = 13T SAE B Hydraulic Spline
23 = 8T ø36 DIN 5462 Spline Female

Manufacturers Code
A = With pressure switch
B, C etc (internal use only if required)



For full details refer to owners' manual.

Technical specifications

Rating for intermittent duty	MS	MU	SK
Torque (Nm/ft lb)	340/250	336/247	430/317
Power @ 500 rpm output shaft (kW/hp)	17.8/23.8	17.5/23.5	23.2/30.1
Power @ 1000 rpm output shaft (kW/hp)	35.5/47.6	35/47	46.4/60.3
Output Shaft Rotation	Opposite	Opposite	Opposite
Mass (kg/lb)	13/30	13/30	13/30
Mounting kit	*	*	*

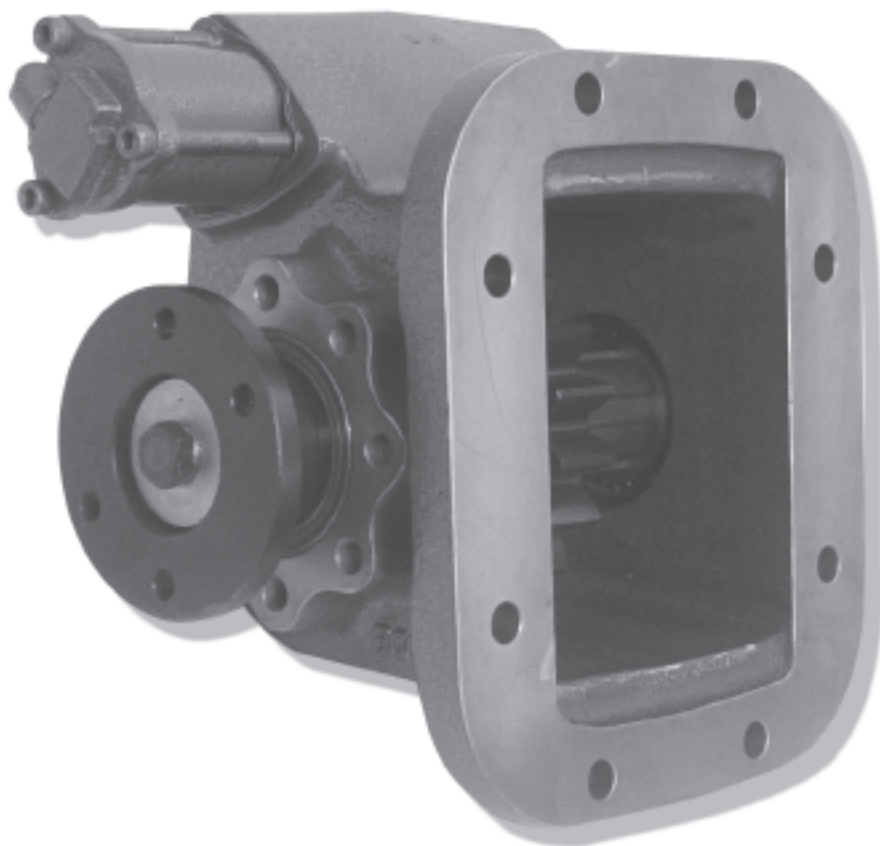
Refer to application manual for full output speed details

* Mounting kit varies with transmission - refer to application manual.

Spare parts: Seal Kit: Seals & gaskets (minor overhaul) SK048A
Bearing Kit: Bearings/seals and gaskets (major overhaul) BK048A
Mounting Gasket Kit: GK004

Gears and body sold separately.

TECHNICAL DATA SHEET



SINGLE GEAR EIGHT BOLT AIR SHIFT POWER TAKE-OFF

The 847 series PTO is designed for Nissan & Hino transmissions having an 8 bolt opening.

Using advanced manufacturing techniques this product will withstand the harshest conditions for long periods.

SUITS:

Nissan MRT21A, MRT22A, MTS60A, MTS60G and MTS70B transmissions.
Hino ME05S and MF06S transmissions.

847 SERIES

POWER TAKE-OFF

PRODUCT FEATURES

- **0.60 & 0.74:1 OUTPUT RATIO (depending on transmission)**
Provides high torque for pumping applications
- **SINGLE GEAR**
For simple and smooth operation
- **WIDE VARIETY OF OUTPUTS**
For configuring with many pumps
- **TAPERED ROLLER BEARINGS**
High capacity for output shaft

DEALER: