

TECHNICAL DATA SHEET



76 SERIES SAE 6 BOLT PTO

Designed for transmissions with SAE 6 bolt openings, the 76 series PTO has a popular ratio output for most applications.

Continuing Powauto's commitment to maximum torque density this PTO's design has higher specifications than most similar competing PTOs.

With a ratio of up to 1.43:1, dependant on transmission, this PTO will provide appropriate output speed for normal engine speed.

SUITS:

Eaton, Fuller, Mack, Nissan, Rockwell, Spicer. This PTO provides the maximum power for the allowable speed.

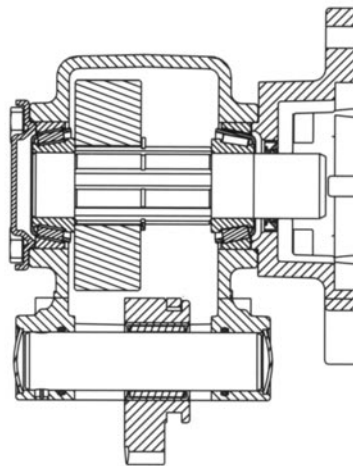
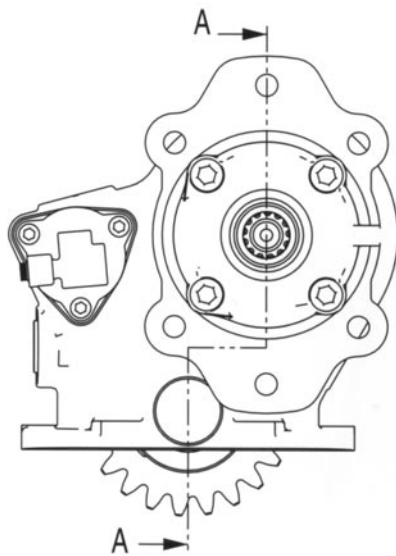
76 SERIES POWER TAKE-OFF

PRODUCT FEATURES

- **WIDE VARIETY OF ASSEMBLY OPTIONS**
Fit many different applications and locations with air and cable controls
- **AVAILABLE WITH MECHANICAL AND HYDRAULIC OUTPUTS**
Wide variety of options for fitment on a variety of applications
- **STANDARD SAE 6 BOLT MOUNT**
Suitable for a wide range of transmissions
- **TAPERED ROLLER BEARINGS ON OUTPUT SHAFT**
Longer life and higher performance

DEALER:

TECHNICAL DATA SHEET



SECTION A-A

PTO DESIGNATION CODES

76 series PTO

Identifier

PA = PTO Side mount

PTO series

76

Gear Type

B

Build

R = Right side of transmission

L = Left side of transmission

1 = Selector to top/ Bias to bottom

2 = Selector to bottom/ Bias to top

1 = Centre to front } Position of gear
2 = Centre to rear } in transmission

Engagement Type

A = Air

D = Electric/Air 12V

E = Electric/Air 24V

Output Type

01 = \varnothing 1 1/4" - 1 1/8" x 5/16" Key

02 = \varnothing 1 1/4" - 1 1/8" x 5/16" Key + 25 x 50 Flange

03 = \varnothing 1 1/4" - 1 1/8" x 5/16" Key + 35 x 60 Flange

04 = \varnothing 1 1/4" - 1 1/8" x 5/16" Key + 1410 Series Flange

08 = 8T Powauto Hydraulic Spline

13 = 13T SAE B Hydraulic Spline + 77122

14 = 13T SAE B with Powauto 4-bolt mount

25 = 9T SAE A with SAE A 2-bolt mount

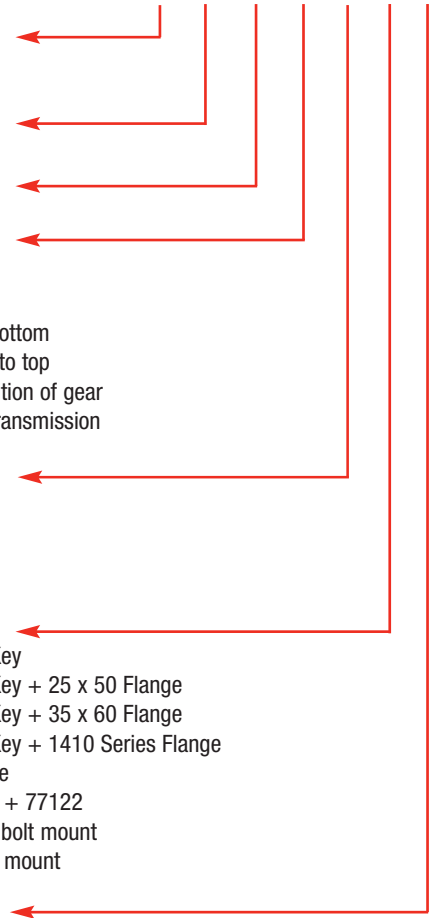
Manufacturers Code

A = With pressure switch

B = With mounting kit

C = With mounting kit & PTO control kit

PA 76 B R12 A 08 *



For full details refer to owners' manual.

Technical Specifications

Rating for intermittent duty

Torque (Nm /ft lb)	271/200
Power @ 500 rpm output shaft (kW / hp)	14.2/19
Power @ 1000 rpm output shaft (kW / hp)	28.4/38
Output Shaft Rotation	Opposite to engine
Mass (kg / lb)	11/24.2
Mounting Kit	Various - refer to application eGuide

Refer to application eGuide for full output speed details.

Spare parts:

Seal Kit:

Bearing Kit:

Mounting Gasket Kit:

Seals & gaskets (minor overhaul)

Bearings/seals and gaskets (major overhaul)

Gears and shafts sold separately

SK059

BK059

GK001