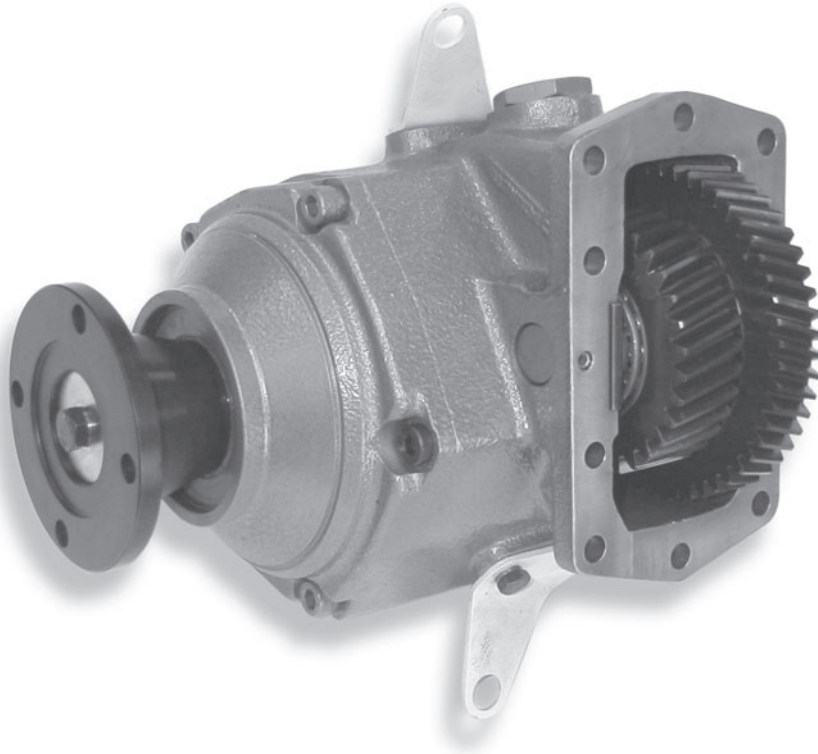


TECHNICAL DATA SHEET



LOW RATIO EXTRA HEAVY DUTY SIDE MOUNTED HOTSHIFT POWER TAKE-OFF

The 38 series is a constant mesh Hotshift PTO designed to suit the 10 bolt transmission openings on the MD and HD series Allison automatic transmissions.

This PTO has a high torque rating which is well suited to heavy duty applications.

SUITS:

Allison MD 3050P, 3060P, 3070PT, 3550P, 3560P,
HD 4060P, 4560P.

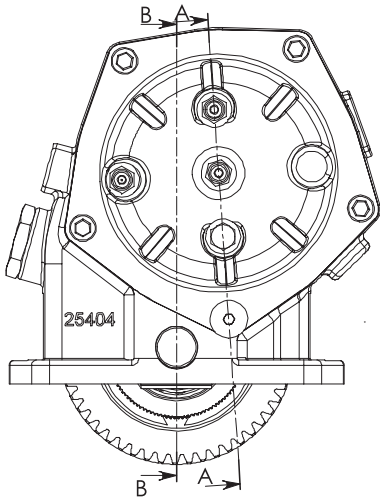
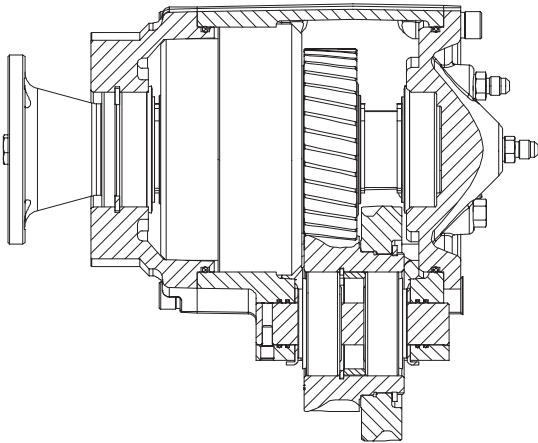
38 SERIES POWER TAKE-OFF

PRODUCT FEATURES

- **RATIO OF 1.16 OR 1.64 (TRANSMISSION DEPENDANT)**
Giving good output values for all applications
- **INTERNAL CLUTCH SYSTEM**
Ensuring no gear clash when engaging
Ability to engage when moving
- **VITON SEALS AND 'O' RINGS**
Ensuring compatibility with high temperature conditions
- **ONE GASKET FITMENT**
Simple to install, resulting in lower installation costs.
- **LOW PROFILE**
Providing easier installation on narrow chassis.
- **BALANCED LIFTING**
Easy & effortless installation

DEALER:

TECHNICAL DATA SHEET



PTO DESIGNATION CODES 38 series PTO

Identifier

PA = PTO Side mount

PTO series

38

Gear Type

JB

Build

R = Right side of transmission

L = Left side of transmission

1 = Selector to top / Bias to bottom

2 = Selector to bottom / Bias to top

1 = Centre to front } Position of gear
in transmission

Engagement Type

F = Electric / Hydraulic 12V (for integral solenoid)

G = Electric / Hydraulic 24V (for integral solenoid)

H = Electric Solenoid control 12V or 24V (Voltage identified on coil)

J = Hydraulic (for remote solenoid)

Output Type

13 = 13T SAE B

23 = DIN 5462

26 = 14T SAE C

33 = 1410 Flange

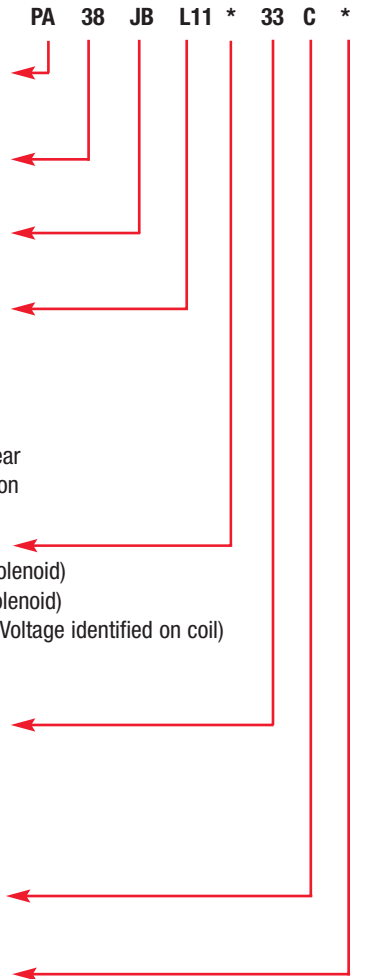
Manufacturers Code

C = With mounting kit & PTO control kit

Remote Solenoid Voltage

12V = 12V Solenoid (for remote solenoid)

24V = 24V Solenoid (for remote solenoid)



For full details refer to owners' manual.

Technical Specifications

Rating for duty

Torque (Nm /ft lb)	650/480
Power @ 500 rpm output shaft (kW / hp)	34.1/45.7
Power @ 1000 rpm output shaft (kW / hp)	68.1/91.4
Output Shaft Rotation	Same as engine
Approximate Bare Mass (kg / lb)	36/79
Mounting Kit	Included

For full details refer to your Powauto distributor

Spare parts:

Seal Kit:

Bearing Kit:

Mounting Gasket Kit:

Seals & gaskets (minor overhaul)

Bearings/seals and gaskets (major overhaul)

Gears and shafts sold separately

SK072

BK072

GK023