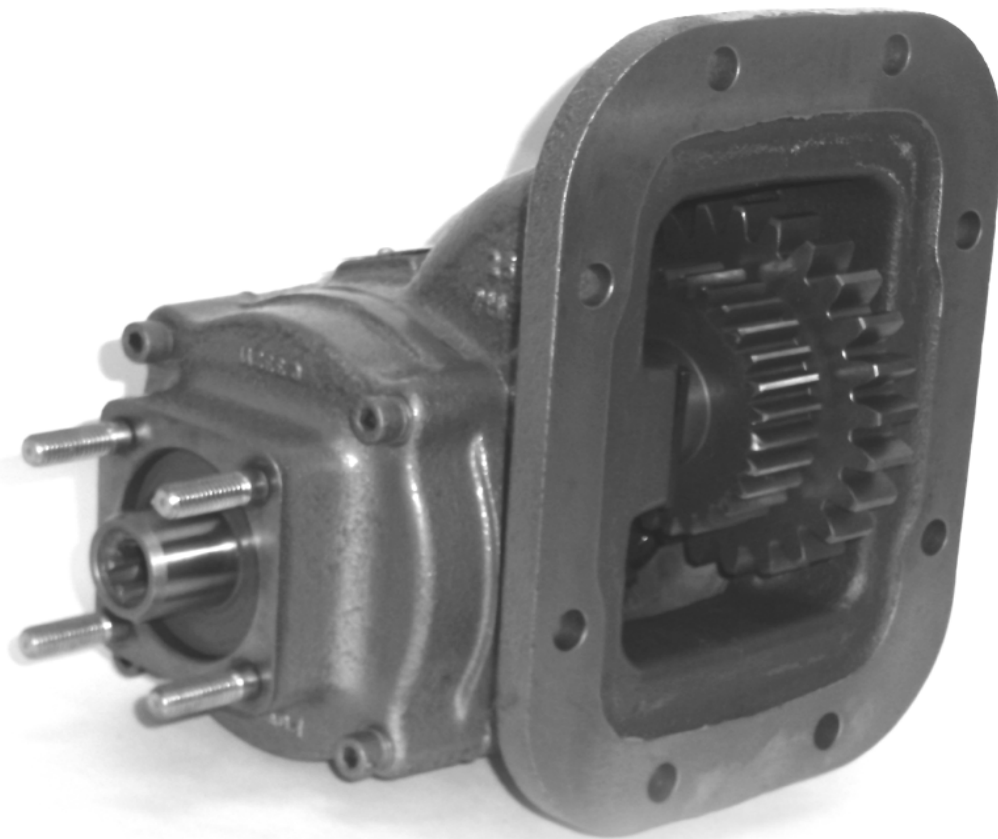


# TECHNICAL DATA SHEET



## 39 SERIES SAE 8 BOLT HOTSHIFT PTO

Designed for transmissions with SAE 8 bolt openings, the 39 series PTO has an output ratio suitable for high torque in critical applications.

Built with constant mesh gearing, this PTO incorporates a clutch pack to engage and disengage the output shaft.

With a ratio of 1.1:1 on most popular transmissions, this PTO will provide extra torque for normal engine speed.

### SUITS:

Eaton, Fuller, Spicer & TTC transmissions.

## 39 SERIES POWER TAKE-OFF

### PRODUCT FEATURES

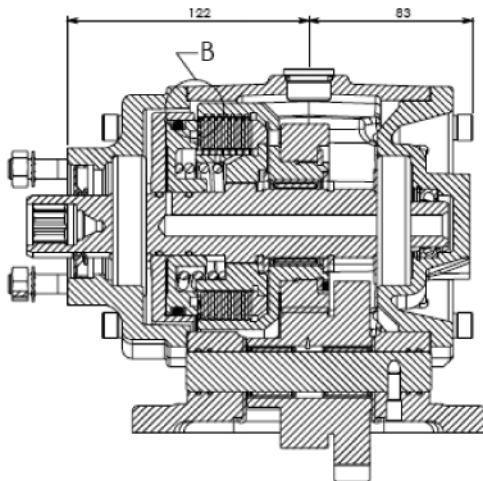
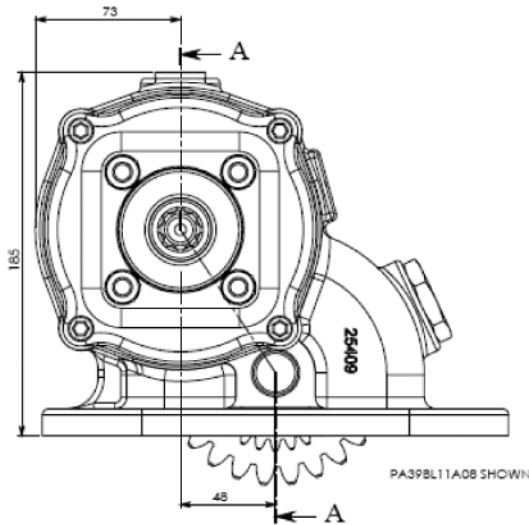
- **WIDE VARIETY OF ASSEMBLY OPTIONS**  
Fit many different application and locations
- **AVAILABLE WITH MECHANICAL AND HYDRAULIC OUTPUTS**  
Wide variety of options for fitment
- **STANDARD SAE 8 BOLT MOUNT**  
Suitable for a wide variety of transmissions
- **DEEP GROOVE BALL BEARINGS ON OUTPUT SHAFT**  
Longer life higher performance
- **HOT SHIFT**  
Can engage 'on the run' - no need for clutch operation with manual gearboxes, reducing driver fatigue.

DEALER:

# TECHNICAL DATA SHEET

## PTO DESIGNATION CODES

### 39 series PTO



PA 39-2 B L11 A 13 \*

#### Identifier

PA = PTO Side mount

#### PTO series

39-2

#### Gear Type

B

#### Build

L = Left side of transmission

1 = Selector to top / Bias to bottom

2 = Selector to bottom / Bias to top

1 = Centre to front } Position of gear  
in transmission

#### Engagement Type

A = Air

#### Output Type

08 = 8T Powauto Hydraulic Spline

09 = 14T 12/24 30° Spline + 35 x 60 Flange

10 = 14T 12/24 30° Spline + 1310 Series Flange

11 = 14T 12/24 30° Spline + 1410 Series Flange

13 = 13T SAE B Hydraulic Spline + Mount

14 = 13T SAE B Hydraulic Spline

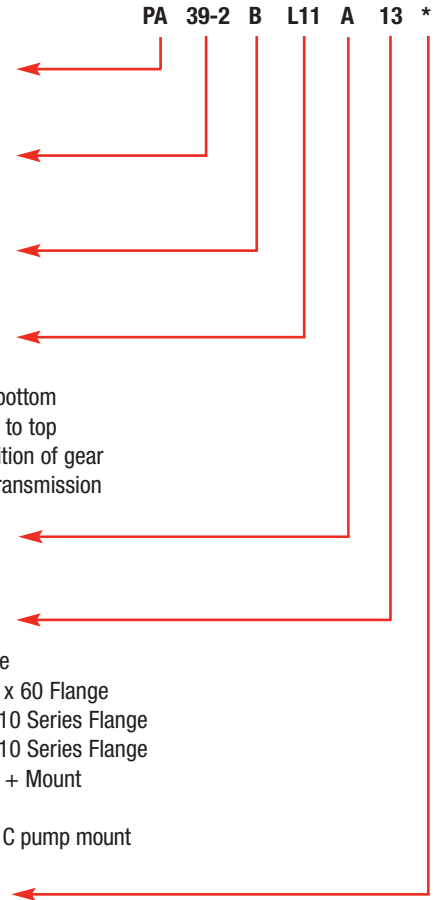
26 = 14T 12/24 30° Spline + SAE C pump mount

#### Manufacturers Code

A = With pressure switch

B = With mounting kit

C = With mounting kit & PTO control kit



For full details refer to owners' manual.

## Technical Specifications

### Rating for intermittent duty

Torque (Nm /ft lb)	417/307
Power @ 500 rpm output shaft (kW / hp)	21.8/29.2
Power @ 1000 rpm output shaft (kW / hp)	43.6/58.5
Output Shaft Rotation	Same as transmission drive gear
Approximate Bare Mass (kg / lb)	20/44
Mounting Kit	MK081

**For full details refer to your Powauto distributor**

\* Mounting kit varies with transmission - refer to application manual.

#### Spare parts:

Seal Kit:

Bearing Kit:

Mounting Gasket Kit:

Seals & gaskets (minor overhaul)

Bearings/seals and gaskets (major overhaul)

*Gears and shafts sold separately*

SK062

BK062

GK002