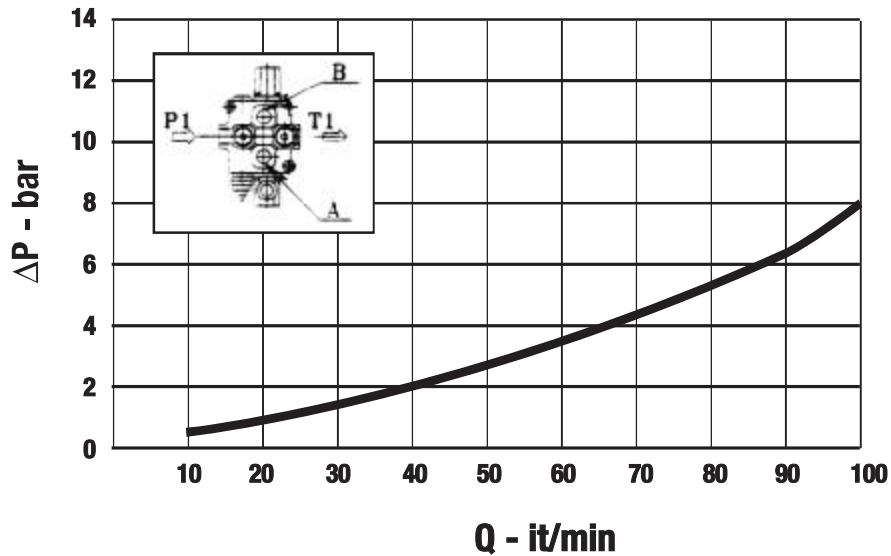


TECHNICAL DATA SHEET

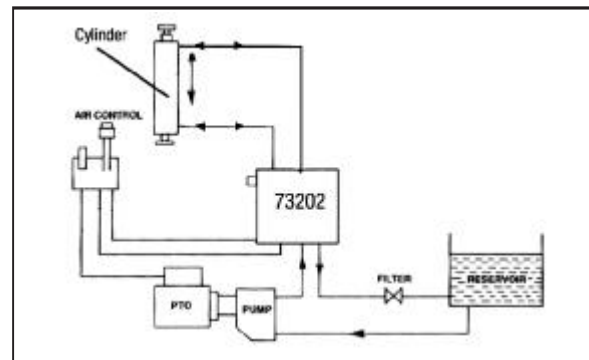
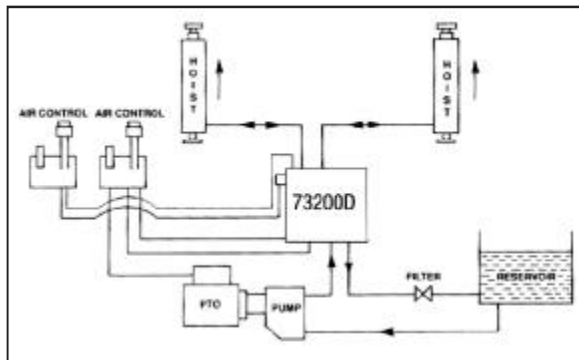
Pressure Drop with Spool In Working Position



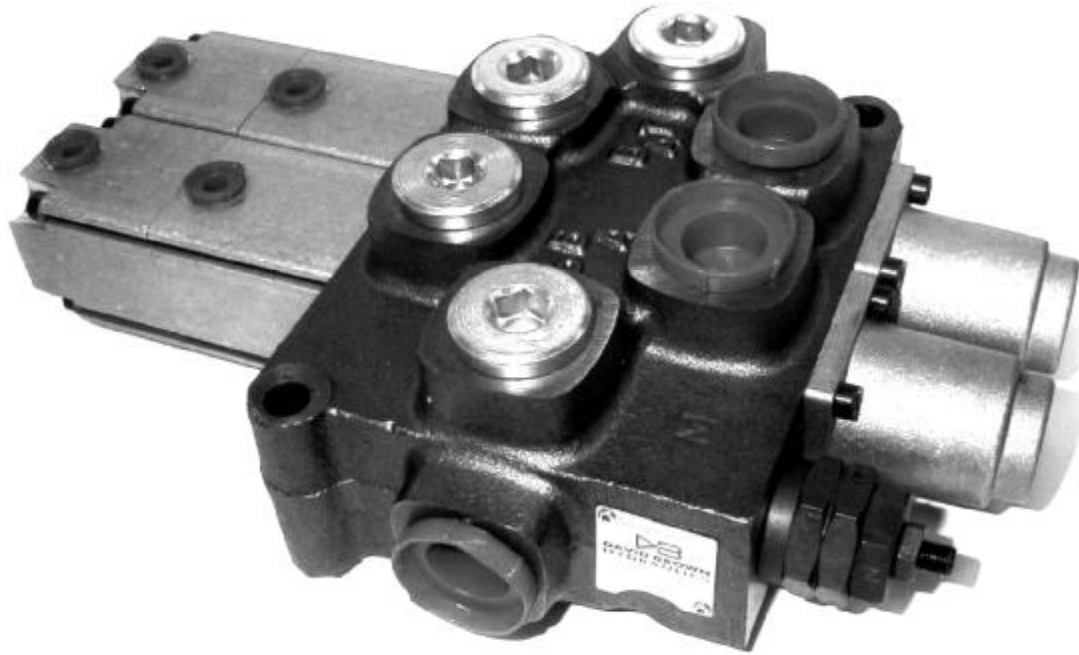
Technical Specifications

	Valve Type	
	73200D	73202
No. spools	2	1
Action	single acting	double acting
Flow per spool (lpm/gpm)	120/31.7	120/31.7
Ports	3/4" BSPP	3/4" BSPP
Dampened on lower	Yes	No

Typical installation



TECHNICAL DATA SHEET



TRUCK AND TRAILER VALVES

The 7320X valves are designed in response to the changing needs of the modern truck market.

These valves provide another option for truck and trailer applications where dual tipping or compact size is required.

When used with a dual hoist control (CK108) these valves provide a compact solution to a common problem.

SUITS:

Trucks and dog (aka "pup") applications

73200 SERIES

TRUCK & TRAILER VALVES

PRODUCT FEATURES

- **COMPACT SIZE**
For minimum problems in fitting and mounting.
- **MONOBLOCK CONSTRUCTION**
For maximum integrity
- **AIR OPERATED**
For ease of engagement.

DEALER:

