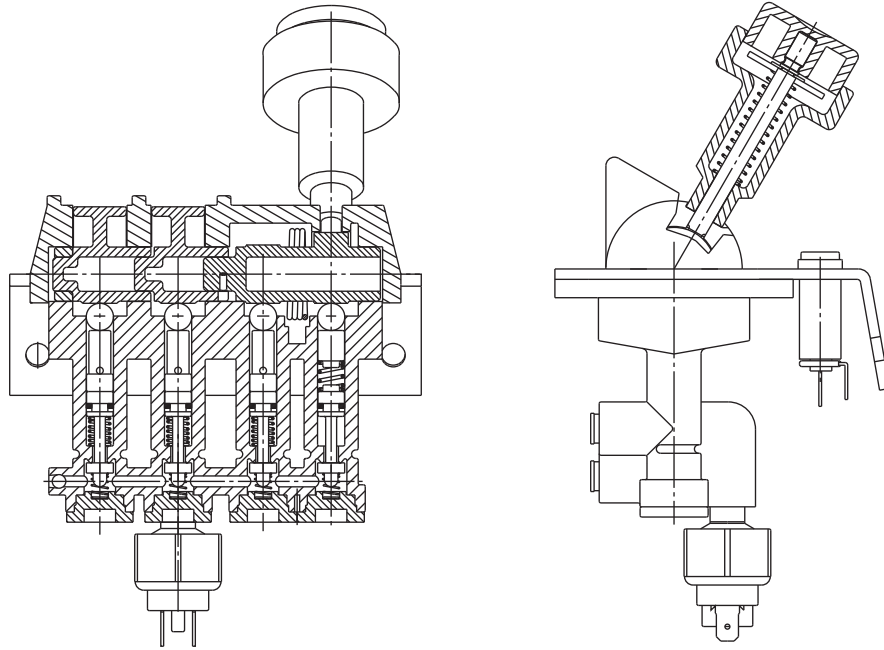


TECHNICAL DATA SHEET

Typical assembly (CK113 shown)

(For full instructions refer to installation guide or your see your Powauto distributor)



Technical specifications

Functions

Mounting*

Operation

| Technical specifications | Functions | Mounting* | Operation |
|--------------------------|---------------------------------|--------------|-------------------------------------|
| CK 90 | PTO/hoist | Bracket | Auto PTO disengage/no hold on lower |
| CK 90A | PTO/hoist | Bracket | Auto PTO disengage/hold on lower |
| CK 90C | PTO/hoist | Bracket | No auto PTO disengage/hold on lower |
| CK 93U & CK 94A | PTO only | Through Dash | PTO engage/disengage |
| CK 101 | PTO only | Bracket | PTO engage/disengage |
| CK 108 | Double PTO/hoist and auxilliary | Pedestal | No auto PTO disengage/hold on lower |
| CK 113A | PTO/hoist/auxilliary | Bracket | Auto PTO disengage/hold on lower |
| CK 113C | PTO/hoist/auxilliary | Bracket | Hold on lower only |
| CK 114A | PTO/hoist/auxilliary | Pedestal | Auto PTO disengage/hold on lower |
| CK 114C | PTO/hoist/auxilliary | Pedestal | Hold on lower only |

Spares: no user serviceable parts available. Refer to Powauto or your dealer for replacement.

*May be ordered without brackets – refer to Powauto or your distributor for details.

Repair Kits: CK90 series: SK027
 CK101: SK031
 CK108: SK032
 CK113/114: SK051

TECHNICAL DATA SHEET



CK101



CK108



CK93U &
CK94A



CK114



CK90



CK113

PNEUMATIC CONTROLS

Designed for modern truck cabs, these controls are manufactured to exacting tolerances ensuring consistent, trouble-free operation.

Powauto produces a wide variety of controls dependent on your requirements. From PTO only to the most complex truck and trailer assembly.

Configured for discreet fitment – ordering the right control for your truck cab is easy.

PRODUCT FEATURES

- **INTEGRAL PLASTIC BODY**
Engineering plastics technology for accuracy and repeated cycles of operation
- **CLEAR DECALS**
Ergonomically designed for ease of use
- **BRACKETS AND PEDESTALS INCLUDED**
Use with or without, depending on requirements
- **CAMS MADE IN KEVLAR**
Long wearing consistent operation
- **LIGHT**
Visual check when PTO is engaged
- **AUTO KICK-OUT FOR PTO**
Prevents damage to your transmission due to prolonged engagement (Some models only)

DEALER:

AIR CONTROL KITS